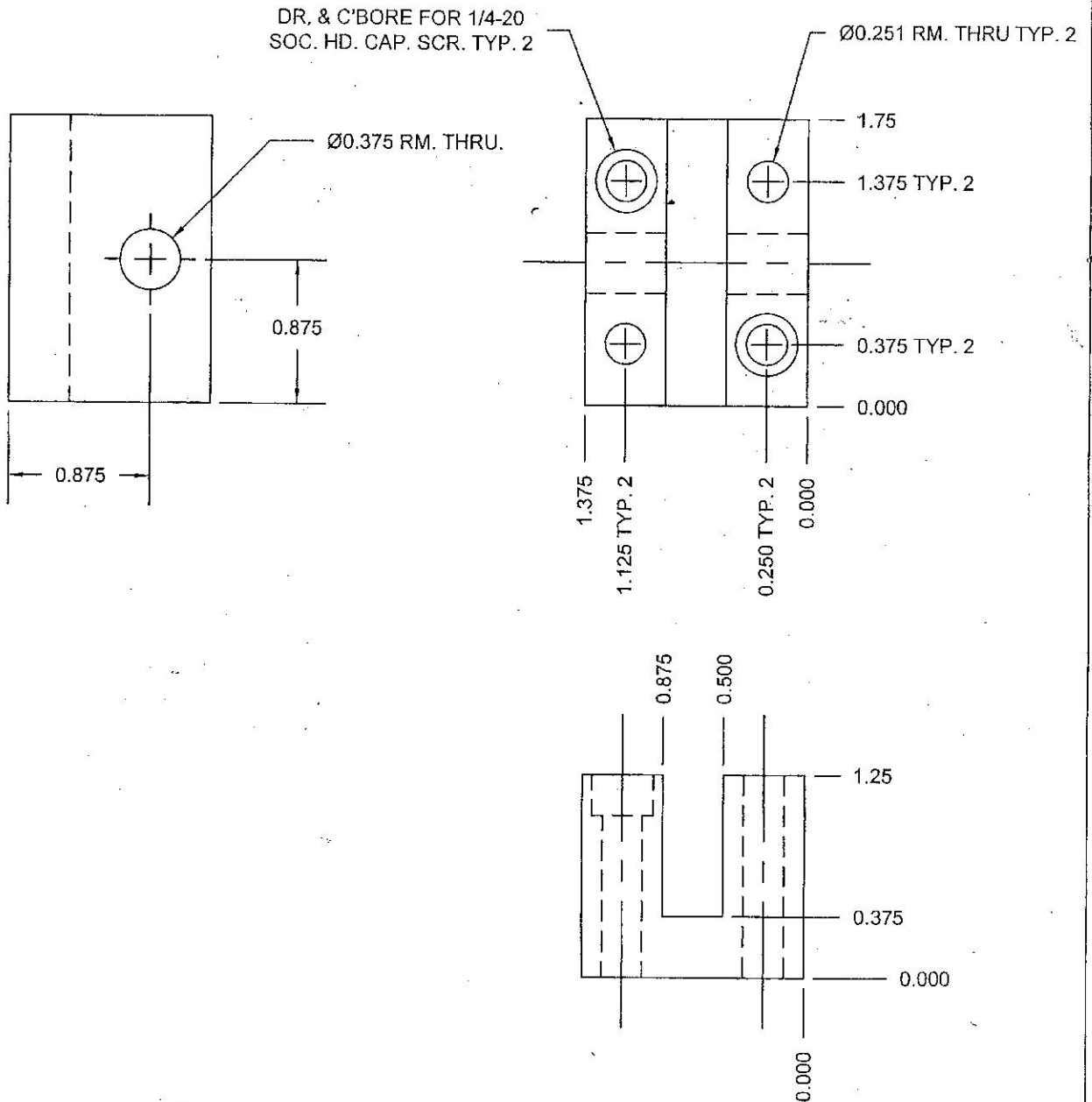


Control Stamp



7 2-REQ. M.S.

Rev.	By	ECN/Request Number	Chkd	Date	Description
REVISIONS					
Intellect Wave 4-Leg, 24" Stool Check Fixture					
KI	1330 Bellevue Street P.O. Box 8100 Green Bay, Wisconsin 54308-8100		NOTICE: This drawing is the property of Krueger International and contains information that is not to be used except in consideration of bids or proposals tendered herewith. Reproductions or copying of this drawing, in whole or in part, is prohibited.		
	TOLERANCES		Material: M.S.		
	DECIMAL PLACES:		Drawn by: M. WANIGER		
	.X ±.1		Checked by:		
.XX ±.02		Date: 6/14/13			
.XXX ±.005		Scale: 1:1			
ANGLE ±1		CAD File:			
		Sheet: 5 of 5			
		Drawing No.:			
		System AC			
		Rev. 0			